

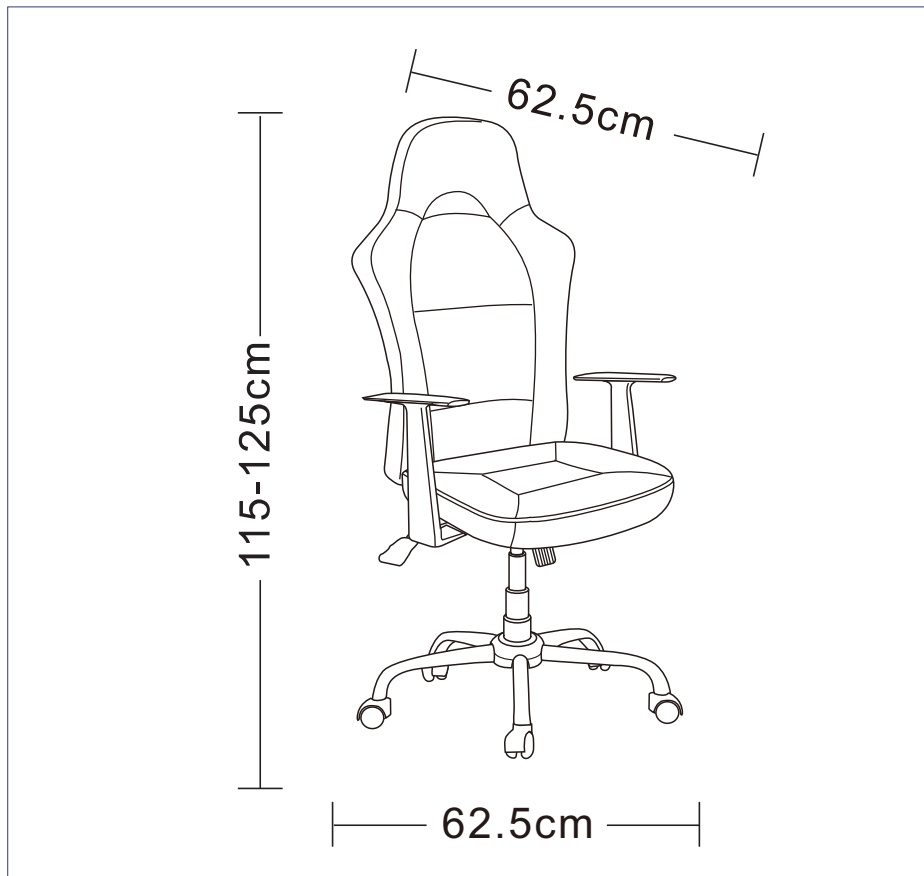


ASSEMBLY INSTRUCTION

Bathurst Gaming Chair

ITEM CODE:53038

Imported by Amart Furniture Pty Ltd, Qld, Brisbane Australia.
For any assistance with assembly or for missing parts please phone
Amart Furniture Ewing Road, Customer Service Free call 1800 351 084

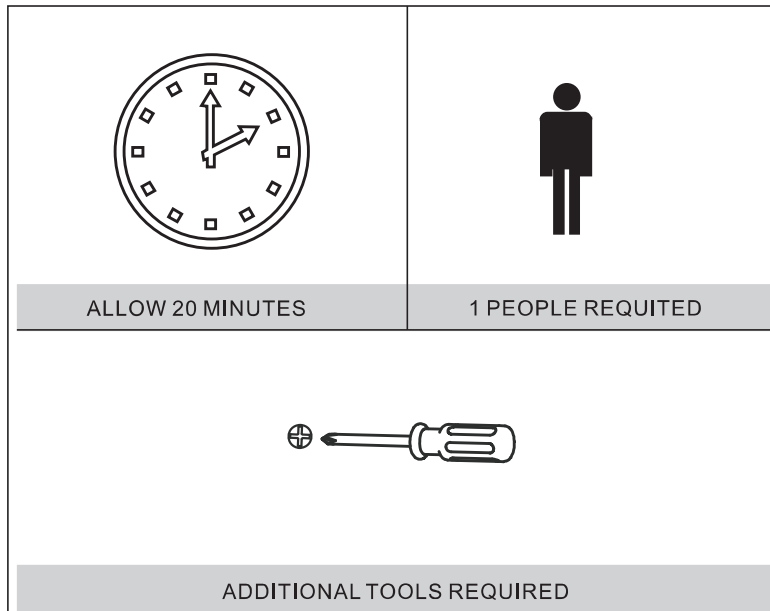


Imported by Amart Furniture Pty Ltd, Qld, Brisbane Australia.
For any assistance with assembly or for missing parts please
phone Amart Furniture Ewing Road, Customer Service Free call 1800 351 084

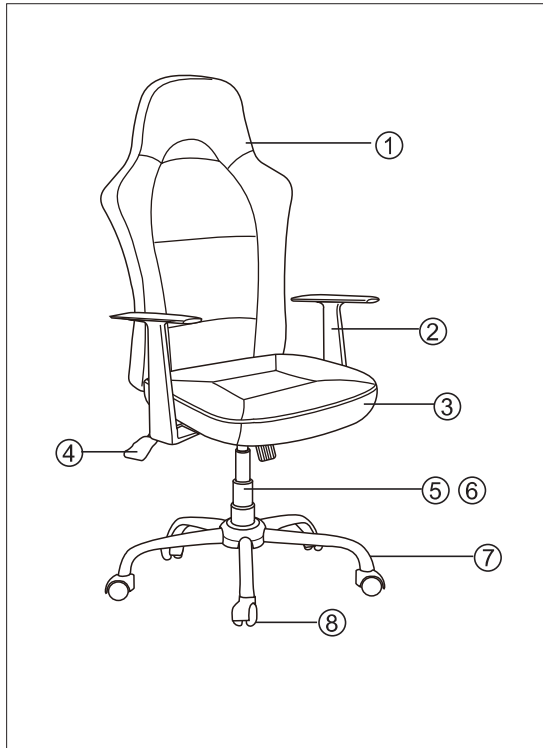
PRE-ASSEMBLY PREPARATION

Before you start:

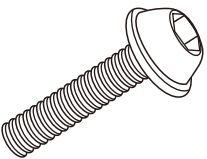
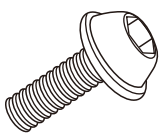
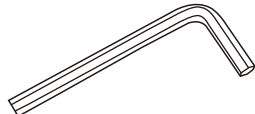
1. Choose a clean, level, spacious assembly area. Avoid hard surfaces that may damage the product
2. Take care when lifting. Product should be assembled as near as possible to the point of use
3. Ensure that you have all required contents for complete assembly
4. Always read the assembly instructions carefully before beginning assembly.
5. Keep all hardware parts and packaging out of reach of small children.
6. Do not over tighten the screws and bolts as this may damage the threads



PARTS LIST

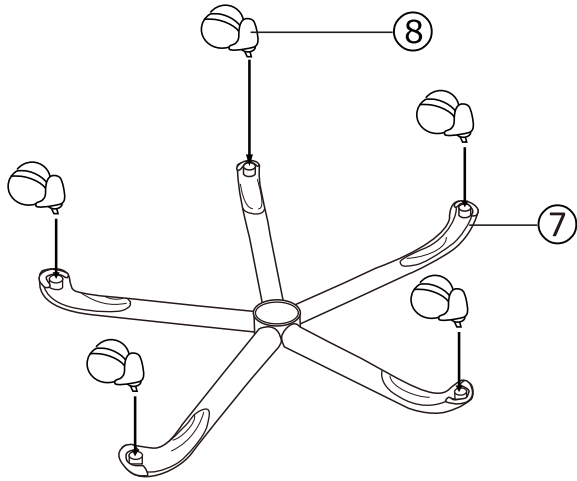


1	BACK
2	ARMREST (L)&(R)
3	SEAT
4	MECHANISM
5	GAS LIFT
6	GAS LIFT COVER
7	BASE
8	CASTOR

<p>A bolt</p>  <p>10pcs M6x30mm</p>	<p>B bolt</p>  <p>4pcs M6x20mm</p>	<p>C Allen key</p> 
--	---	--

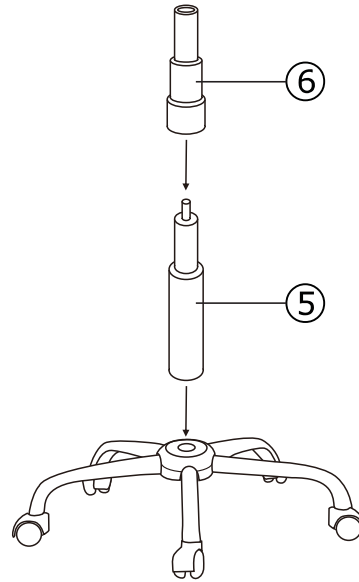
STEP 1:

Insert castor (8) to base (7).



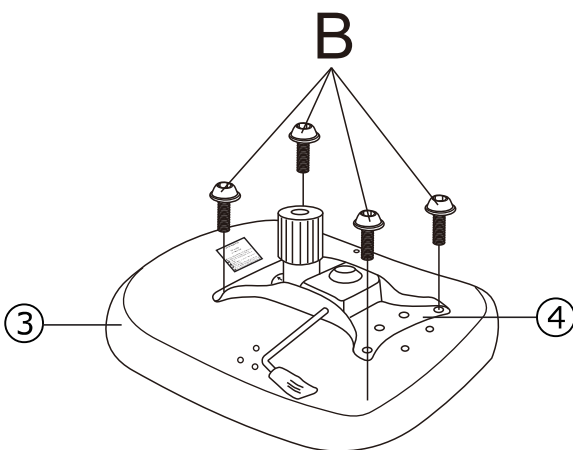
STEP 2:

Insert gas lift (5) to base (7) as instruction shown, then put gas lift cover (6) on gas lift (5).



STEP 3:

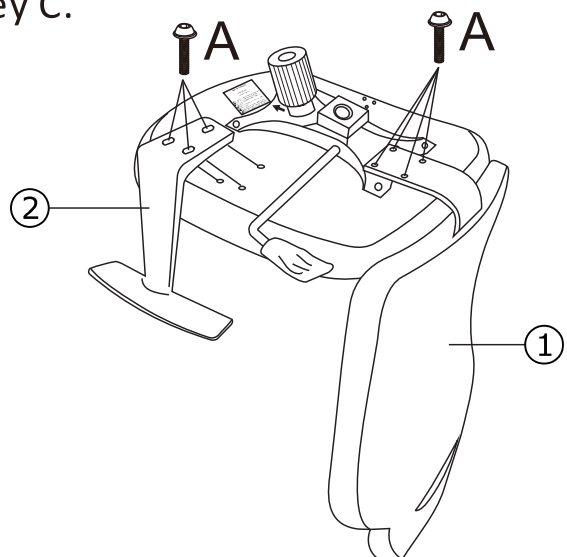
Attach the mechanism (4) to seat (3) using bolt B and fasten with the Allen Key C.



STEP 4:

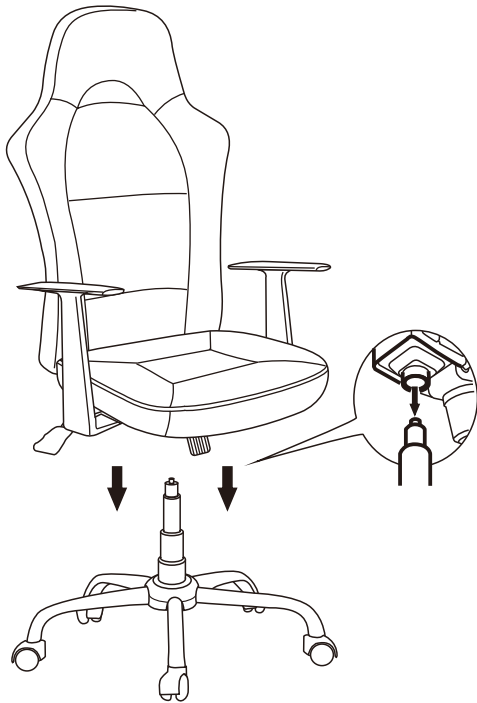
Attach armrest (2) to seat (3) using bolt A and fasten with the Allen Key C.

Attach back (1) to seat (3) using bolt A and fasten with the Allen key C.



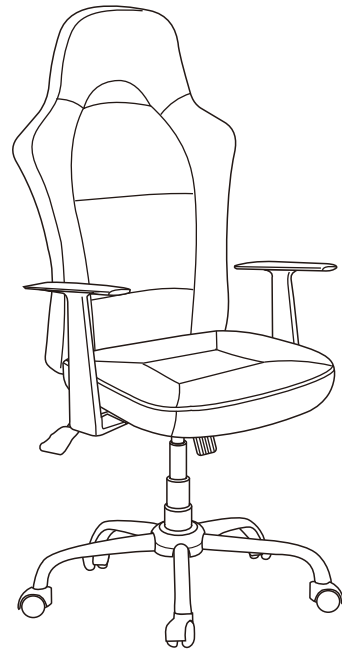
STEP 5:

Put back (1) on gas lift (5).



STEP 6:

Assembly is complete.



CARE AND MAINTENANCE

OFFICE CHAIR

DO NOT REMOVE THIS LABEL

- DO NOT STAND ON THIS CHAIR-DO NOT USE THIS CHAIR AS STEP LADDER
- USE THIS PRODUCT ONLY FOR SEATING ONE PERSON AT A TIME
- DO NOT USE THIS CHAIR UNLESS ALL BOLTS, SCREWS AND KNOBS ARE FIRMLY SECURED.
- AT LEAST EVERY 4 MONTHS, CHECK ALL BOLTS, SCREWS AND KNOBS TO BE SURE THEY ARE TIGHT.
- IF PARTS ARE MISSING, BROKEN, DAMAGED OR WORN, STOP USE THE PRODUCT UNTIL REPAIRS ARE MADE. USING FACTORY AUTHORIZED PARTS.
- FAILURE TO FOLLOW THESE WARNINGS COULD RESULT IN SERIOUS INJURY.